

# Kidde Fire Systems HPCO2 Component Description

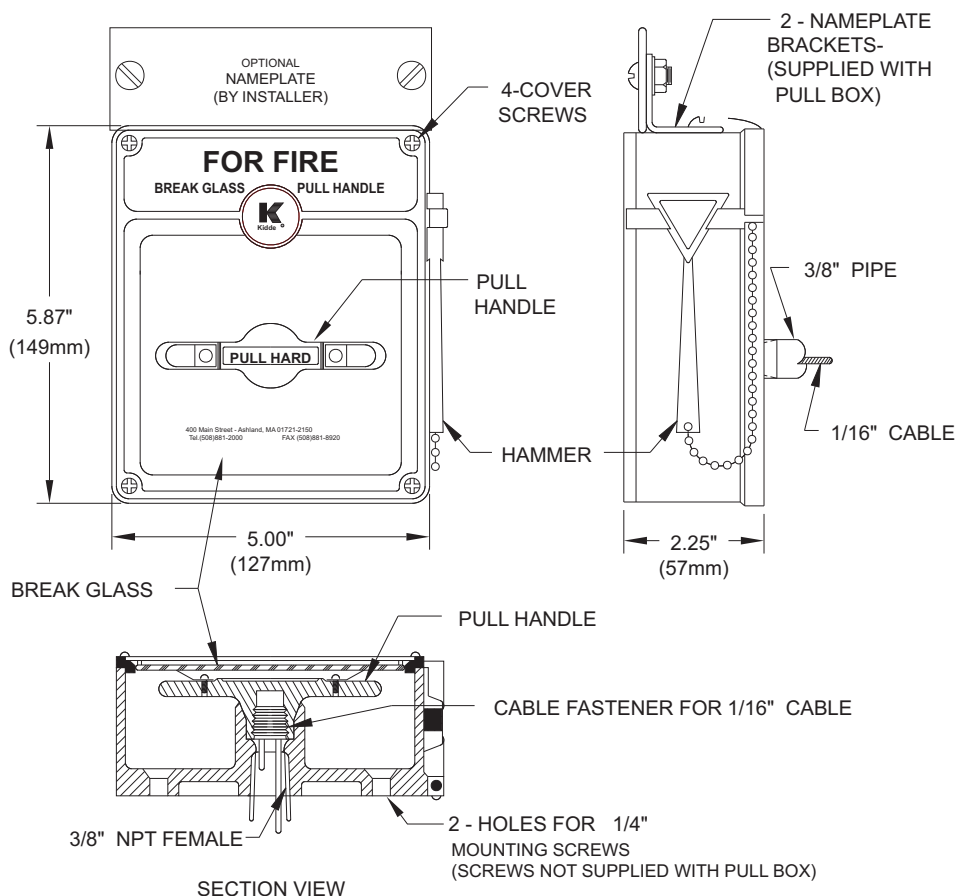


Effective: August 2022  
K-81-6040 Rev AE

## Pull Box, Break Glass

### FEATURES

- **Underwriters' Laboratories Listed - File Number EX923** • **United States Coast Guard Approved**
- **FM Approved, Standard 5420** • **Various Class Society Type Approvals (see Sales for details)**



### MATERIALS:

- Body: Aluminum
- Handle: Brass

### ORDERING INFORMATION

Description	Part Number
Pull Box, Break Glass	81-871403-000
<b>Spare Parts</b>	
Replacement Handle & Cable Fastener, Pull Box 81-871403-000 and 81-870087-000	WK-802394-000
Replacement Hammer & Chain, Pull Box 81-871403-000	WK-800450-000
Replacement Glass, Pull Box 81-871403-000	WK-928103-000
Cable Fastener, Pull Box 81-871403-000, 81-870087-000 & 81-840098-000	WK-934617-000

All trademarks are the property of their respective owners.  
©2022 Carrier

This literature is provided for informational purposes only. KIDDE-FENWAL, INC. believes this data to be accurate, but it is published and presented without any guarantee or warranty whatsoever. KIDDE-FENWAL, INC. assumes no responsibility for the product's suitability for a particular application. The fire suppression system design, installation, maintenance, service and troubleshooting must be performed by trained, authorized Kidde Fire Systems distributors for the product to work correctly. If you need more information on this product, or if you have a particular problem or question, contact KIDDE-FENWAL, INC., Ashland, MA 01721 USA. Telephone: (508) 881-2000.

### EXPORT INFORMATION (USA)

Jurisdiction: EAR  
Classification: EAR99  
This document contains technical data subject to the EAR.

Kidde Fire Systems  
400 Main Street  
Ashland, MA 01721  
Ph: 508.881.2000  
Fax: 508.881.8920  
[kiddefiresystems.com](http://kiddefiresystems.com)